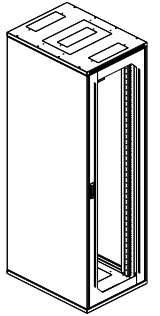
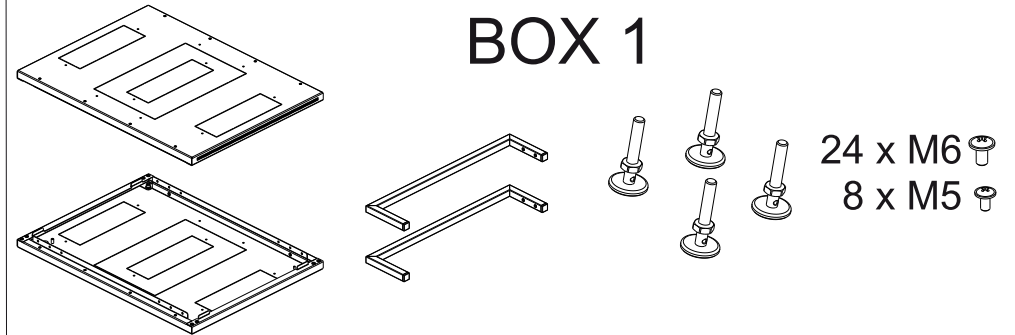


REV 60/60

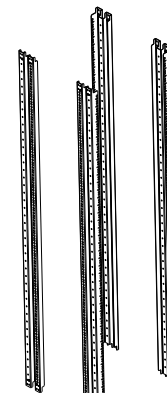
REV 60/80



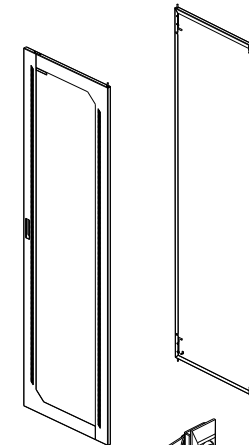
BOX 1



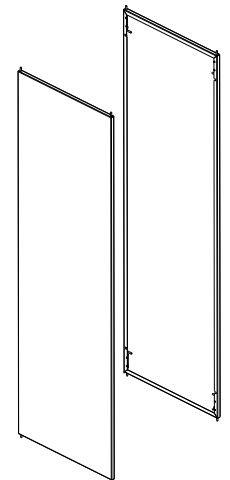
BOX 2



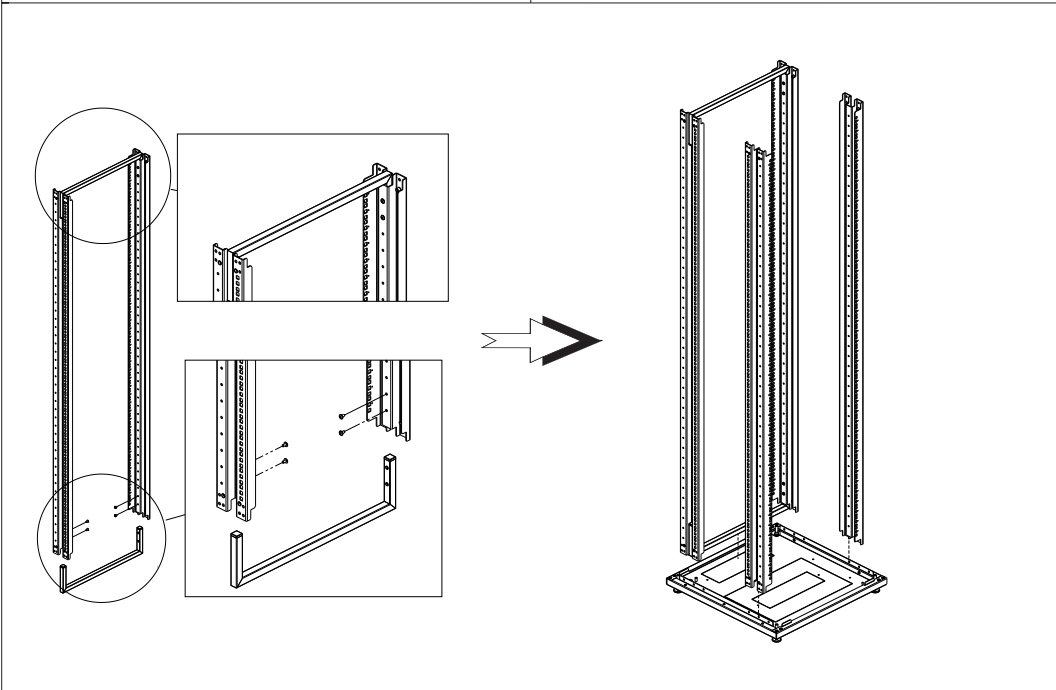
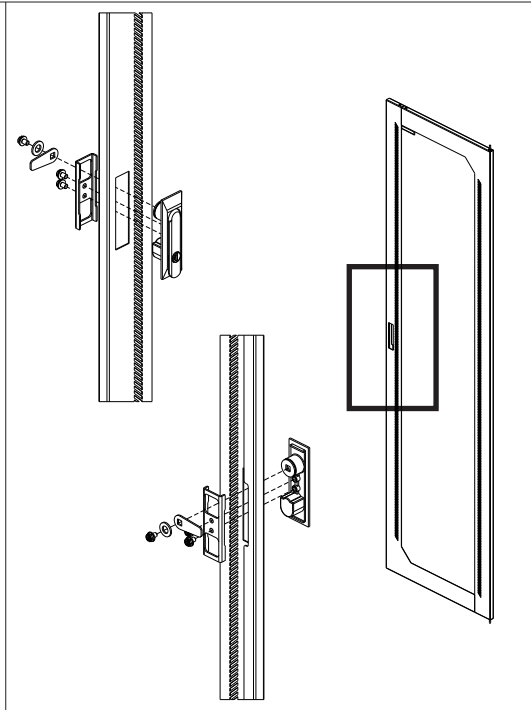
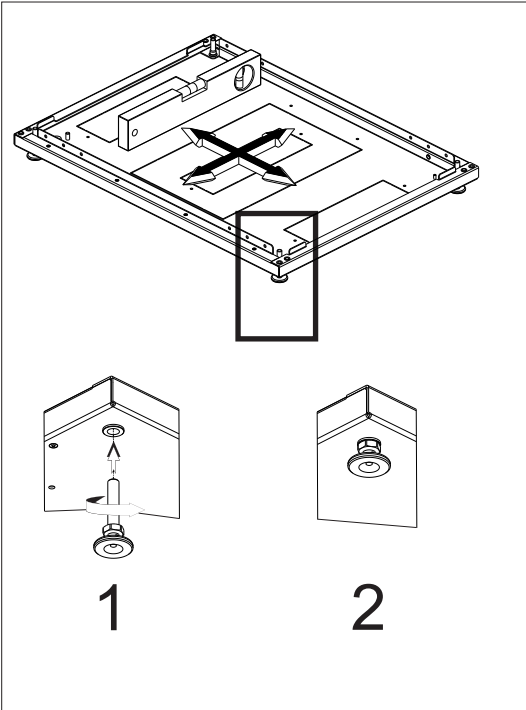
BOX 3



BOX 4

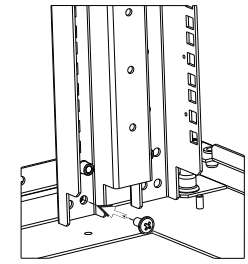
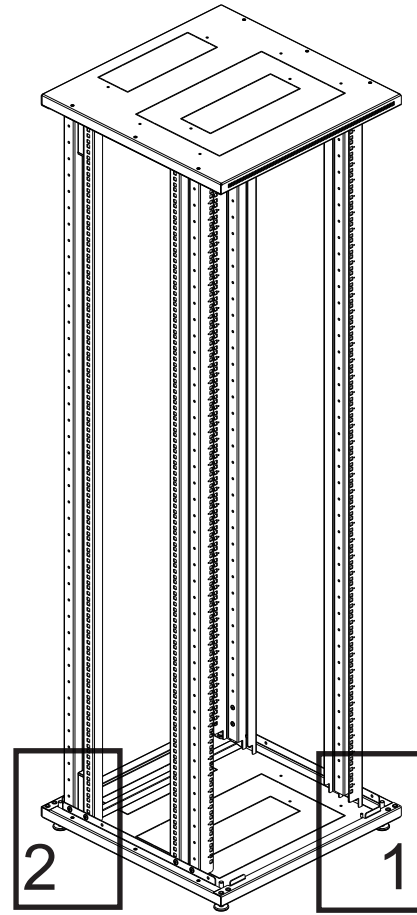
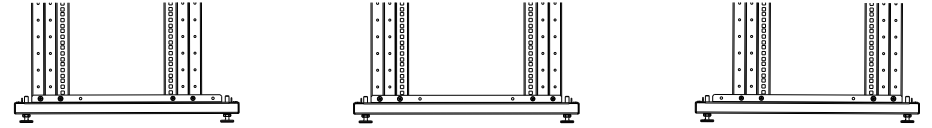


980 007 REV. A

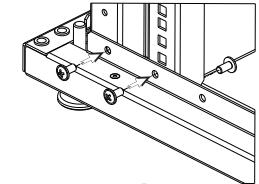


2

ALTERNATIVES



1



2

3