

19" HIGH-LOAD FRAMES

Used in closed rack rooms, especially in data centers and server rooms, or in places where it is not possible to install racks. Load rating up to 1200kg balanced load.



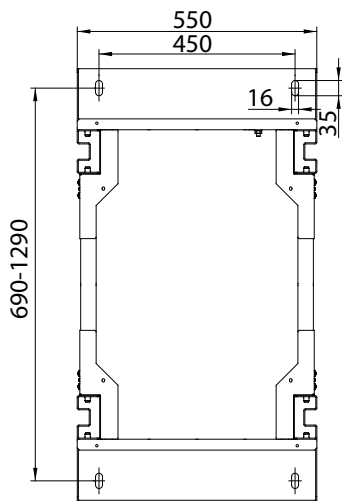
Description:

- Four post open frame (two post version on request) consists of:
 - 2 pairs of 19" vertical extrusions
 - 2x base (RSG – outside oriented, RSX – inside oriented)
 - 4x adjustable profile
- Produced in sizes 42U and 47U
- Adjustable depth from 500 to 680mm, or 710 to 890mm, or 920 to 1100mm
- Load rating max. **1200kg** balanced load
- Width of frame 550mm
- GND/earthing kit
- Easy connection to blocks
- Easy access from all sides
- Holes for anchoring screws
- Delivered assembled; unassembled on request
- Color powder coated RAL 9005 (black)
- Marking of height units (RSX frames only)
- Accessories on request

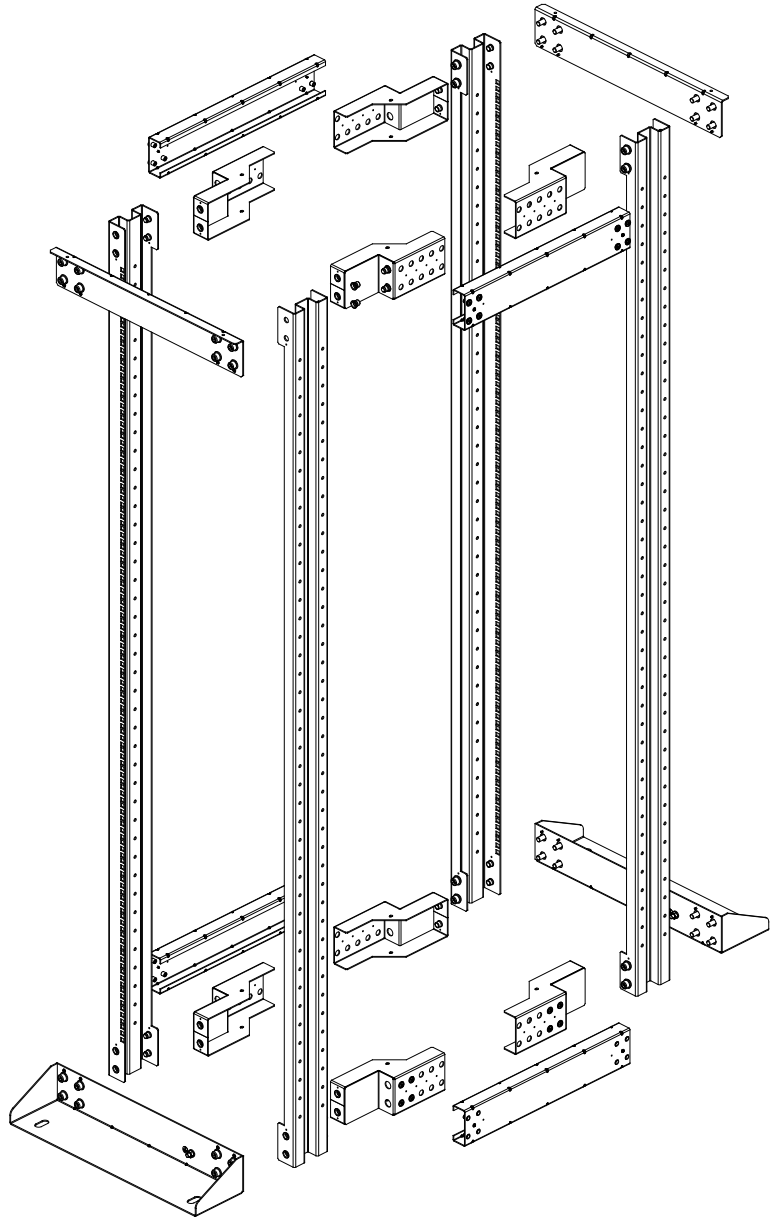
Code *	H in Units	Dimensions in mm		
		H	W	Depth setting
RSG-42-55/50 (50-68)	42	2055	550	500-680
RSG-42-55/74 (71-89)	42	2055	550	710-890
RSG-42-55/92 (92-110)	42	2055	550	920-1100
RSG-47-55/50 (50-68)	47	2527	550	500-680
RSG-47-55/74 (71-89)	47	2527	550	710-890
RSG-47-55/92 (92-110)	47	2527	550	920-1100

* for RSX codes write RSX instead of RSG

Top view (dimensions in mm)



RSG-42 (four post)



RSG-42 (four post, dimensions in mm)

