



CONTEG DATA SHEET

version: 03-09-2010

RSG4 SERIES 19" OPEN FRAMES

CONTEG, spol. s r.o.

Headquarters Czech Republic:
Na Vítězné pláni 1719/4
140 00 Prague 4

Tel.: +420 261 219 182
Fax: +420 261 219 192
conteg@conteg.com
www.conteg.com

Local Offices:

Austria:	+43 699 1819 7071
Benelux:	+32 477 957 126
Eastern Europe:	+49 172 848 4346
France:	+33 686 074 386
Germany:	+49 170 523 4958
Russia:	+7 495 506 1328



RSG4 high-load four post open frames are an alternative to housing the equipment in racks. Open frames bring unbeatable accessibility, but require a dust free environment with controlled access, because no protection is provided to the equipment. Load rating of these frames is up to 1500kg (balanced load), that means they are also suitable for installation of heavy servers, disk arrays etc. The frames are also suitable for use in testing and service rooms where they ensure unlimited access to components installed. RSG4 series open frames are recommended to be used together with High Density Wire Managers.

DESCRIPTION

Sizes

- Height: 42, 45, 47U
- Width: 550mm
- Depth: 500-680mm, 710-890mm, 920-1100mm

Load rating

- 1500kg (balanced load)

IP rating

- IP 00 (no protection)

Construction

- 2.0mm sheet steel

Color

- Standard RAL 9005

Base

- Produced from sheet steel
- L – outside oriented (X – inside oriented optionally)
- Base comprises holes for anchoring screws

Standard equipment

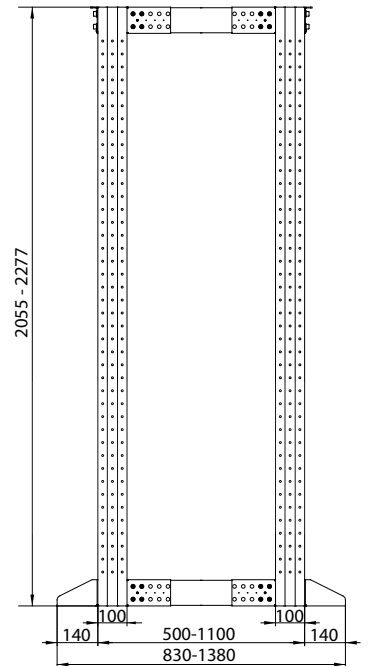
- 2 pairs of 19" vertical extrusions with U marking
- Top angles
- 2x base L-sheet steel outwards

RSG4-42-19/92-LF

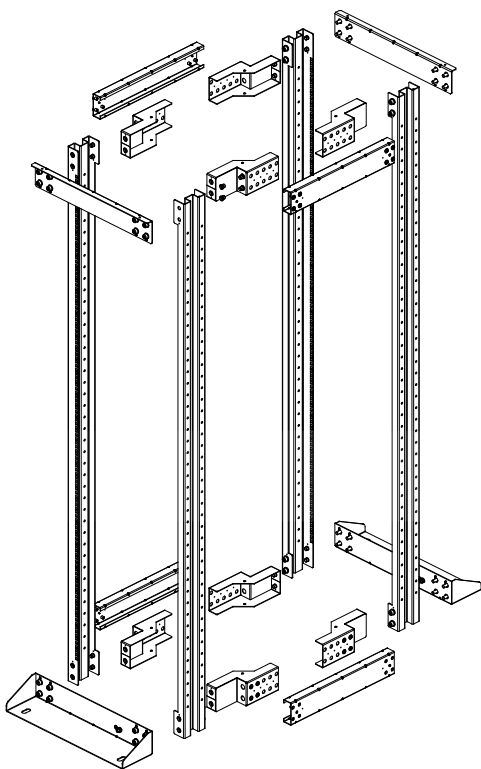
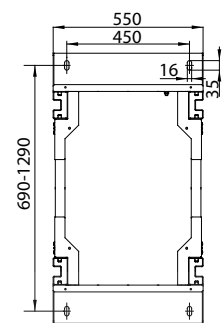


COLOR SAMPLER:

RAL 9005



Top view



RSG4-42



Code *	H in Units	Dimensions in mm		
		H	W	Depth settings
RSG4-42-19/50-LF	42	2055	550	500-680
RSG4-42-19/74-LF	42	2055	550	710-890
RSG4-42-19/92-LF	42	2055	550	920-1100
RSG4-45-19/50-LF	45	2188	550	500-680
RSG4-45-19/74-LF	45	2188	550	710-890
RSG4-45-19/92-LF	45	2188	550	920-1100
RSG4-47-19/50-LF	47	2277	550	500-680
RSG4-47-19/74-LF	47	2277	550	710-890
RSG4-47-19/92-LF	47	2277	550	920-1100

*for inside oriented base replace L by X in product code

Note: All dimensions in mm

RSG4 series 19" open frames