



CONTEG DATA SHEET

version: 01-09-2010

ROD SERIES 19" WALL MOUNT RACKS

CONTEG, spol. s r.o.

Headquarters Czech Republic:
Na Vítězné pláni 1719/4
140 00 Prague 4

Tel.: +420 261 219 182
Fax: +420 261 219 192
conteg@conteg.com
www.conteg.com

Local Offices:

Austria:	+43 699 1819 7071
Benelux:	+32 477 957 126
Eastern Europe:	+49 172 848 4346
France:	+33 686 074 386
Germany:	+49 170 523 4958
Russia:	+7 495 506 1328



The ROD series racks are designed for wall mount installation where an extended level of access to the installed equipment is desired. The ROD racks feature a swing-frame design so that equipment can be accessed from both the front and rear of the rack. 19" wall-mounting telecommunication and data racks are designed for the installation of patch panels, active components, etc.



ROD-09-60/50

COLOR SAMPLER:

RAL 7035

DESCRIPTION

Sizes

- Height: 4, 6, 9, 12, 15, 18U
- Width: 600mm
- Depth: 500mm

Construction

- 1.25mm sheet steel

Load rating

- standard 40kg balanced load

IP rating

- Standard IP20

Colors

- Standard RAL 7035
- Optionally other colors

Front door

- Tinted security glass (EN 12150-1) or sheet steel door
- Reversible door - easy re-hanging to open right or left (at installation site)
- Door opening angle 180°

Rear door

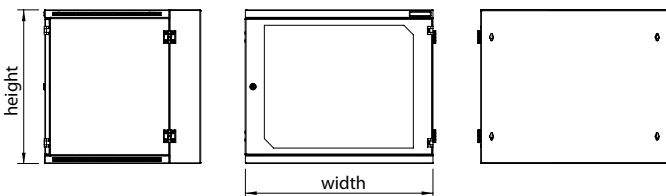
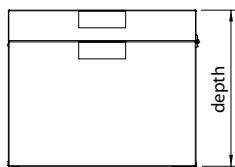
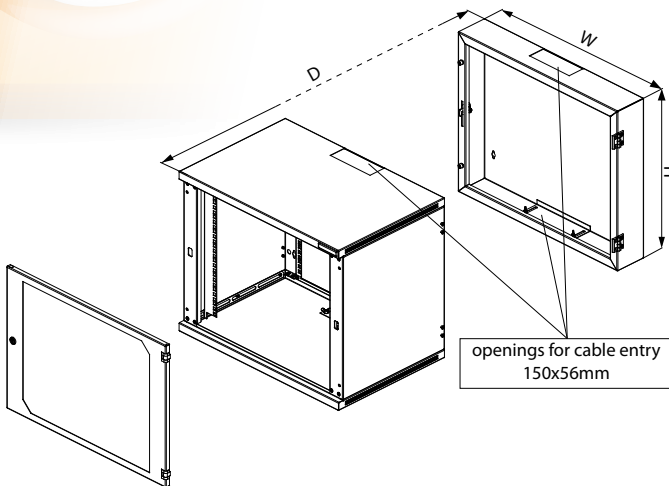
- 100mm deep rear door with lock and module for cable entry
- When installed without the rear panel additional holes are exposed for installation of 19" components
- Mounting holes for wall installation on the back

Cable entries

- Top and bottom openings for cable entry, size 150x56mm,
- Covered with sliding blank panel with butterfly nuts (DP-DB-200x68)
- Variable openings in relation to number of entering cables
- Cable entries on rear edge of enclosure for straight cable path alongside the wall

Others

- Drilling template
- Possibility to add extra pair of extrusions (DP-LV-N-xx)



STANDARD CONFIGURATION:

- 1 pair of sliding 19" vertical extrusions
- Tinted security glass door (EN 12150-1) with lock
- GND/earthing kit
- 16 mounting kits

Code	H in Units	Dimensions in mm				Dimensions incl. packing in mm			Gross weight in kg
		H	W	D	Useful depth	H	W	D	
ROD-04-60/50	4	300	600	500	470	325	625	535	18
ROD-06-60/50	6	388	600	500	470	413	625	535	21
ROD-09-60/50	9	521	600	500	470	546	625	535	25
ROD-12-60/50	12	655	600	500	470	680	625	535	29
ROD-15-60/50	15	788	600	500	470	813	625	535	33
ROD-18-60/50	18	921	600	500	470	946	625	535	37

ROD series 19" wall mount racks