

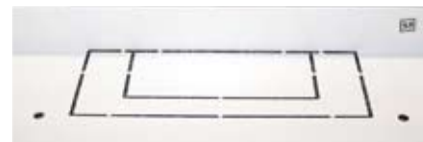
19" WALL-MOUNTING RACKS REN SERIES

19" wall-mounting telecommunication and data racks designed for installing patch panels, active components, etc.



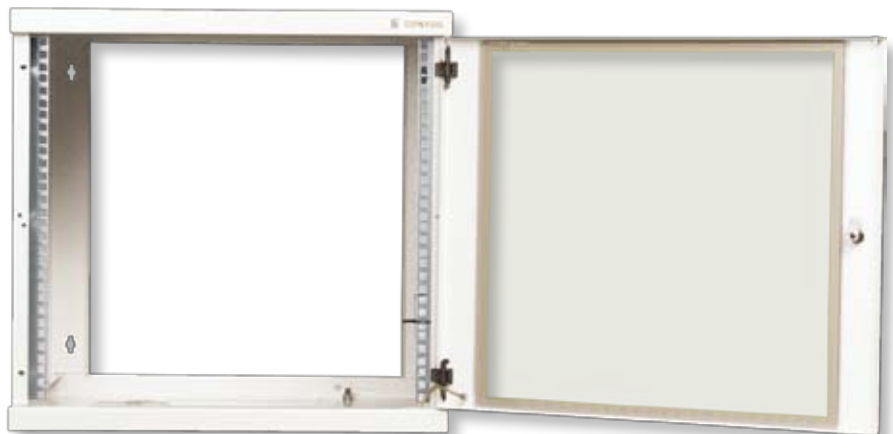
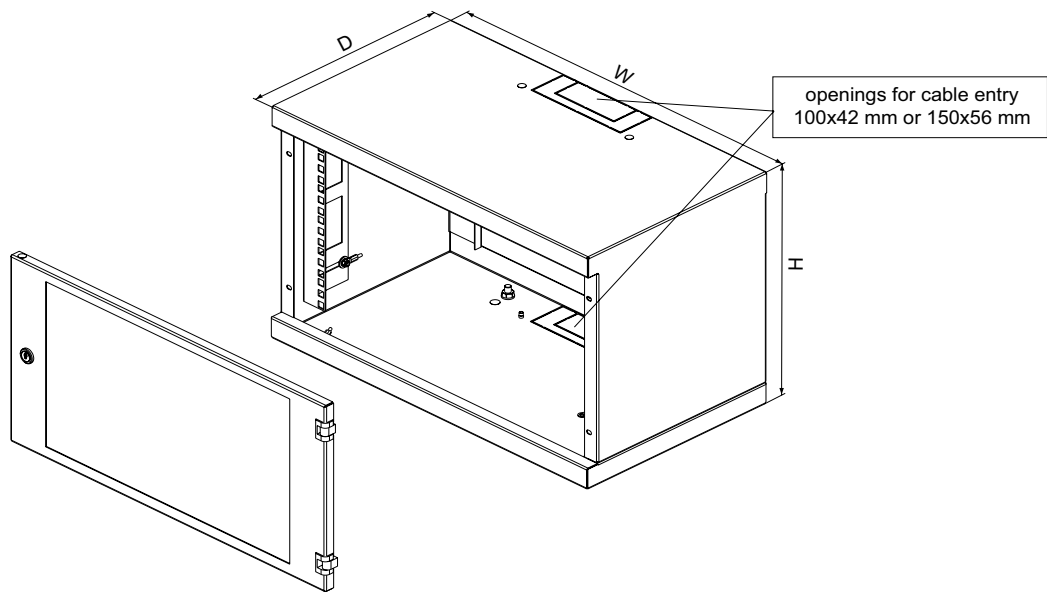
Description:

- Three types:
 - a) height 6U; depth 300mm
 - b) height 6, 10, and 15U; depth 400mm
 - c) height 6, 10, and 15U; depth 500mm
- Width 530mm
- Color powder coated RAL (standard RAL 7035)
- Tinted security glass (EN 12150-1) or sheet steel door
- Reversible door - easy re-hanging to open on right or left (at installation site)
- Door opening angle 180°
- Top and bottom knock-out openings for cable entry; size 100x42mm or 150x56mm »
- Cable entries on rear edge of enclosure for straight cable path alongside wall
- Openings can be covered with sliding blank panels - DP-DB-200x68 (not included)
- No rear panel
- Two sliding 19" vertical extrusions - sliding distance 0 to 60mm »
- Mounting holes for wall installation on the back
- GND/earthing kit
- Load rating max. 20kg balanced load
- Protection rating IP30



Standard equipment:

- 1 pair of sliding 19" vertical extrusions
- Tinted security glass door (EN 12150-1) with lock
- GND/earthing kit



Code	H in Units	Dimensions in mm				Dimensions including packing in mm			Gross weight in kg
		H	W	D	Useful depth	H	W	D	
REN-06-60/30	6	332	530	300	250	350	555	339	9
REN-06-60/40	6	332	530	400	350	350	555	439	10
REN-10-60/40	10	510	530	400	350	535	555	439	12
REN-15-60/40	15	732	530	400	350	758	555	439	16
REN-06-60/50	6	332	530	500	450	350	555	539	11
REN-10-60/50	10	510	530	500	450	535	555	539	13
REN-15-60/50	15	732	530	500	450	758	555	539	17,5