



CONTEG[®]
to complete your network

Headquarters Czech Republic:
Tel.: +420 261 219 182, Fax: +420 261 219 192
conteg@conteg.com, www.conteg.com

Western Europe:	+32 476 215 089
France:	+33 686 074 386
GER, SUI, AUT:	+49 170 523 4958
Czech Republic:	+420 724 914 613
Eastern Europe:	+49 172 848 4346
Russia:	+7 495 506 13 28
Middle East:	+971 50 565 6334

Fly Sheet Pre-assembled accessories

Your complete solution for customized rack configurations

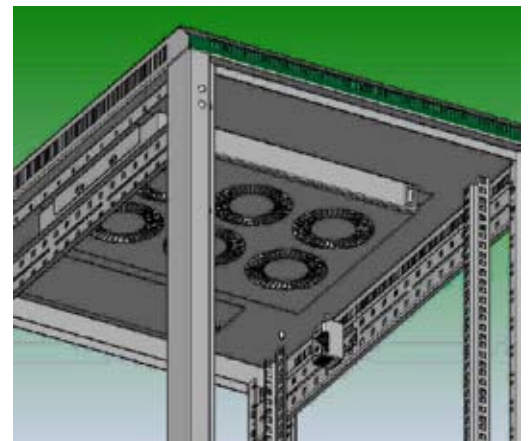
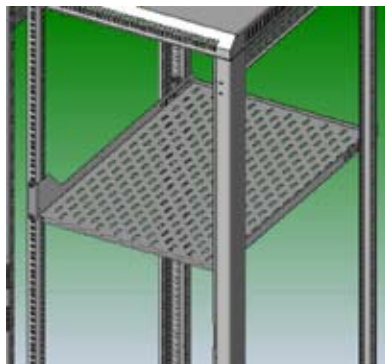
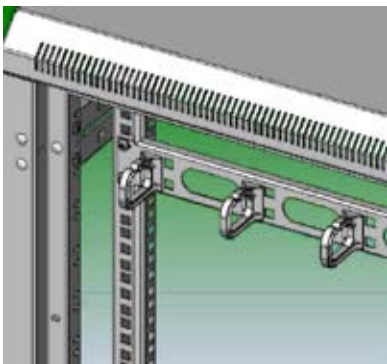
We are introducing a new measure providing an instrument to satisfy even more complex customers' needs. As a contribution to increase the flexibility there is an option to deliver the racks now equipped with Conteg accessories. The pre-assembly will take place at Conteg upon your request.

Our goal is to save your time and costs during installation

Typical application

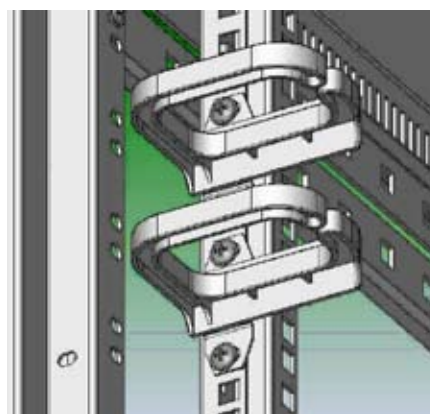
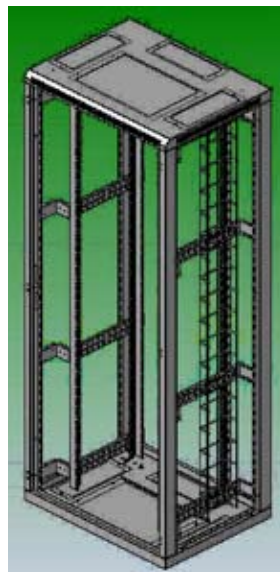
- bigger number of racks with the same configuration of accessories delivered at a time
- long-term project with recurring deliveries of racks with the same configuration of accessories

Possibility to install:



19" accessories (shelves, wire management panels, socket panels, etc.)

Ventilation units in top/bottom



Cable management brackets (plastic, metal)

Vertical cable management (vertical wire management panels, cable basket trays, etc.)

For other please contact our sales team