

FIBER-OPTIC SPLICE BOXES

19" FIBER-OPTIC SPLICE BOXES

Used for termination of optical cables in racks.

Description:

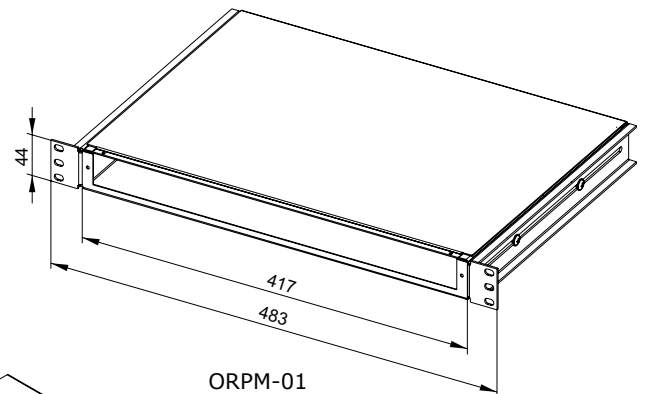
- Types:
 - a) fixed
 - b) telescopic
- Height 1U
- Modular front panels not included - see table on page 55
- 16 (max.24) positions for FO couplings
- Cable entry openings in rear part
- Holes not in use can be covered with blank modules
- Installation in rack with two sliding holders
- Installation kit for splice cassettes and inner organizer included
- Wide range of accessories (optionally)
- Color powder coated RAL (standard RAL 9005)

19" FIBER-OPTIC SPLICE BOXES				
Code	W	D in mm	H	Description
ORPM-01	19"	300	1U	Fixed
ORVM-01	19"	320	1U	Telescopic

19" FIXED FIBER-OPTIC SPLICE BOX

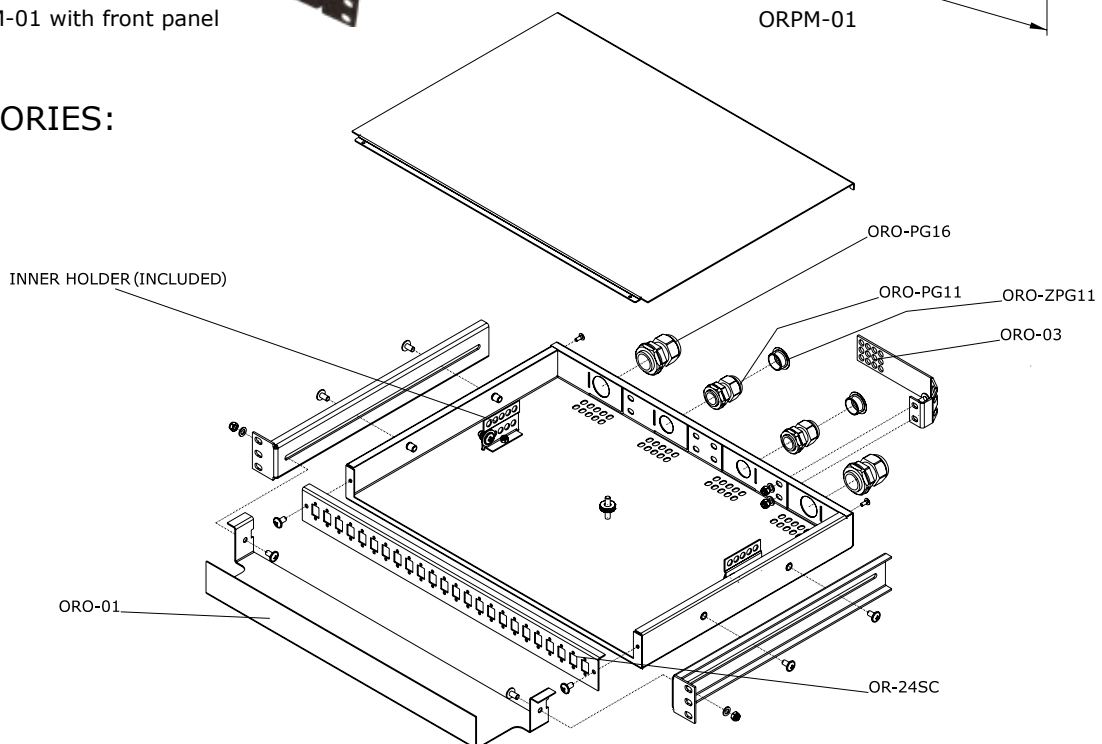


ORPM-01 with front panel



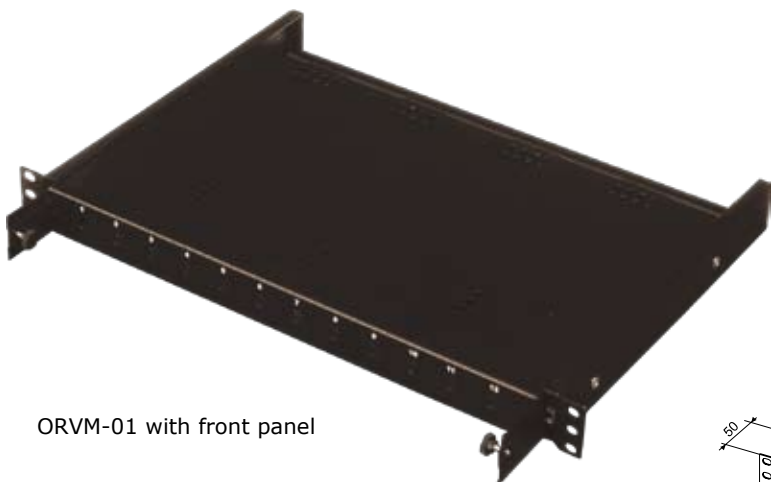
ORPM-01

ACCESSORIES:

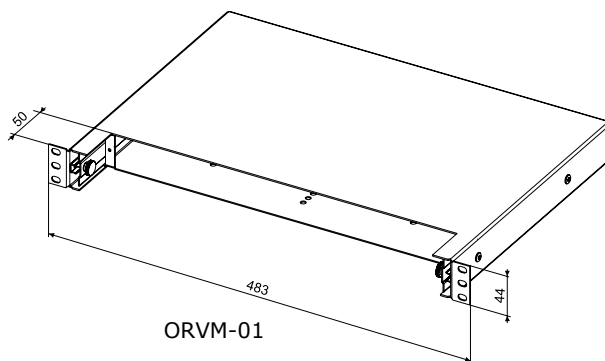


19" TELESCOPIC FIBER-OPTIC SPLICE BOX

Accessories

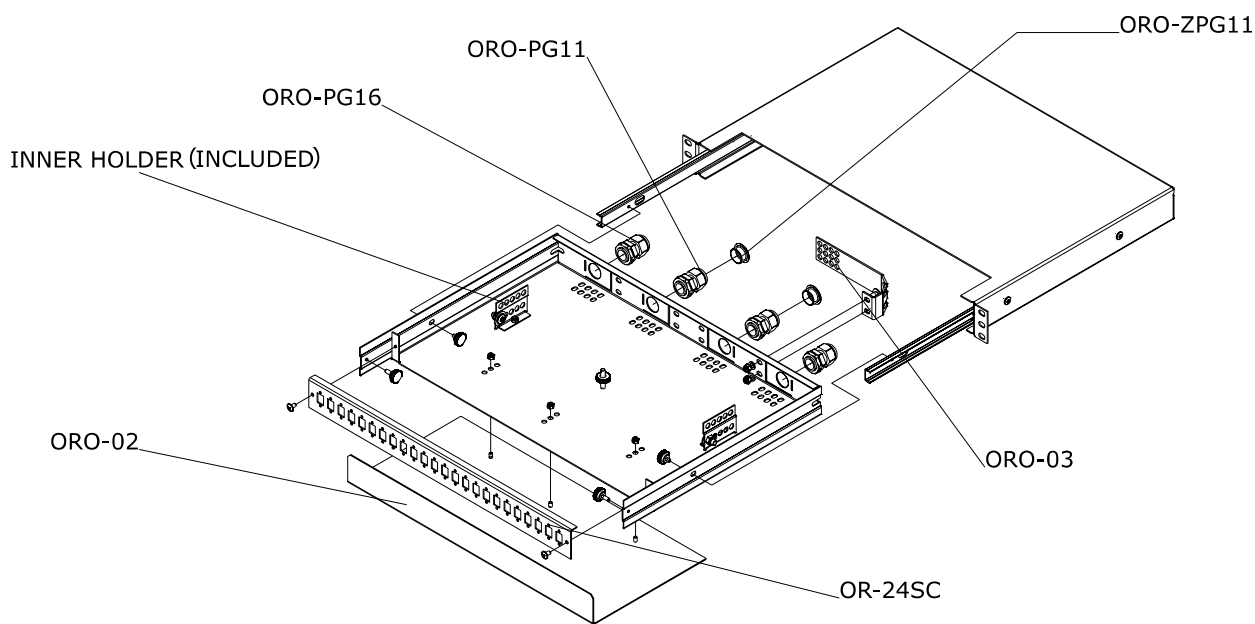


ORVM-01 with front panel



ORVM-01

ACCESSORIES:



ACCESSORIES FOR FIBER-OPTIC SPLICE BOXES	
Code	Description
ORO-K2000	Splice cassette
ORO-PG11	PG11 coupling
ORO-PG16	PG16 coupling
ORO-ZPG11	Cover of opening for PG11 coupling
ORO-ZPG16	Cover of opening for PG16 coupling
ORO-01	Front organizer for ORPM
ORO-02	Front organizer for ORVM
ORO-03	Rear organizer

TYPES OF MODULAR FRONT PANELS				
Code	NUMBER OF HOLES FOR FO COUPLINGS			
	8	12	16	24
OR-xxST	yes	yes	yes	yes
OR-xxSC	yes	yes	yes	yes
OR-xxDSC	yes	yes	yes	no
OR-xxFC	yes	yes	yes	yes
OR-xxFCD	yes	yes	yes	yes

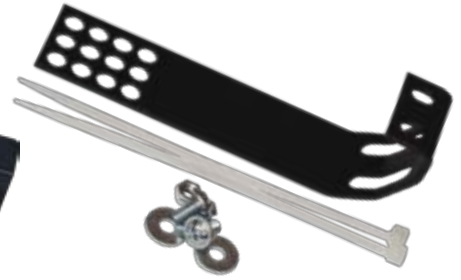
xx... Number of holes



ORO-01



ORO-02



ORO-03



ORO-K2000



ORO-PG16



ORO-ZPG16

WALL-MOUNTING FIBER-OPTIC SPLICE BOXES

Wall-mounting fiber-optic splice boxes are used for termination of optical cables.

Description:

- Types:
 - a) double - size 350x300mm; equipped with double-leaf door and lock
 - b) single - size 300x180mm or 220x180mm
- Modular panels with holes for couplings - see table on page 57
- In double FO splice-box up to 24 positions for ST or SC or FC or 12 DSC or FCD adapters
- In single FO splice-box up to 8 positions for ST or SC or FC or 4 DSC or FCD adapters
- Holes not in use can be covered with blank modules
- Cable entry through PG couplings (PG 9 for ORN-01 and PG 11 for ORN-02)
- Installation kit for splice cassette (ORO-K2000) included
- Color powder coated RAL (standard RAL 7035)

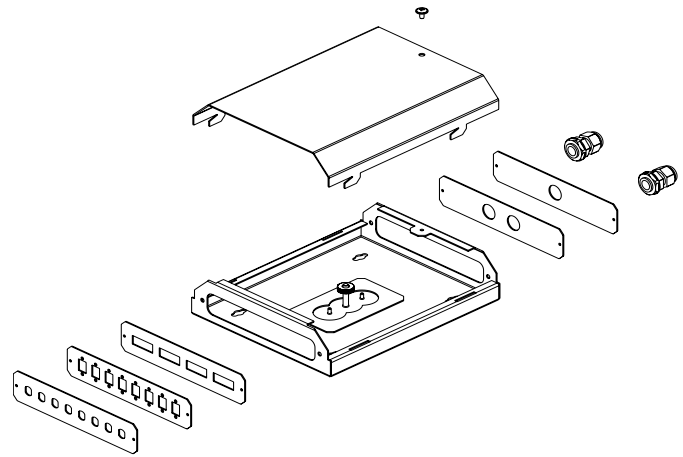
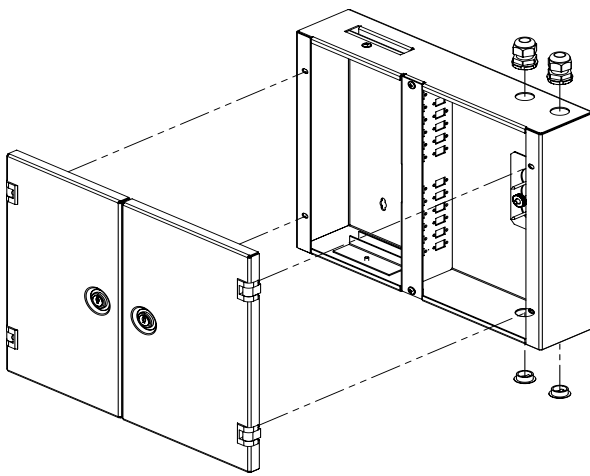
WALL-MOUNTING FIBER-OPTIC SPLICE BOXES		
Code	Type	Sizes W x H in mm
ORN-02-35/30	Double	350 x 300
ORN-01-30/18	Single	300 x 180
ORN-01-22/18	Single	220 x 180



ORN-02-35/30 equipped with ORN-24SC



ORN-02-35/30



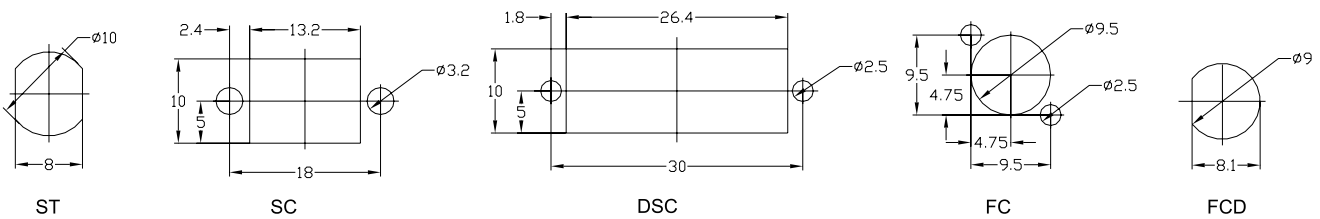
PANELS FOR WALL-MOUNTING FIBER-OPTIC SPLICE BOXES	
ORN-02-35/30	ORN-01-30/18 and ORN-01-22/18
ORN-24ST	ORN-M-8ST
ORN-24SC	ORN-M-8SC
ORN-12DSC	ORN-M-4DSC
ORN-24FC	ORN-M-1PG
ORN-12FCD	ORN-M-2PG
	ORN-M-8FC
	ORN-M-4FCD



ORN-01-30/18



ORN-01-22/18



Types of holes for fiber-optic connectors