

RSH - PATCH PANELS			
Code	W	H	Used with
DP-PP-S1U	10"	1U	8 modules Keystone type
DP-MP-S1U	10"	1U	12 modules Panduit
DP-DSZ-S	10"	2+1/2U	8 modules LSA-PLUS



DP-PP-S1U



DP-MP-S1U



DP-DSZ-S

RSH - ACCESSORIES			
Code	W	H	Description
DP-PT-S200	10"	1U	Shelf, depth 150mm
DP-ZA-S1U	10"	1U	Blank panel
DP-S01-VENT	10"	1U	Vented panel
DP-VP-PS01	10"	1U	Wire management panel with plastic brackets



DP-PT-S200



DP-ZA-S1U



DP-S01-VENT



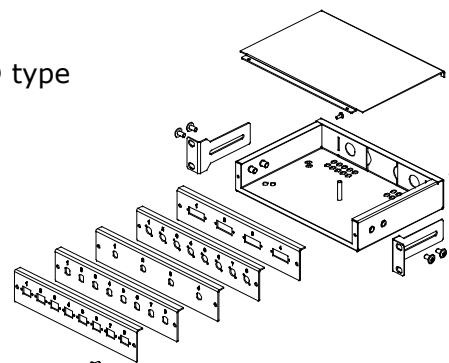
DP-VP-PS01

10" FIBER-OPTIC SPLICE BOXES

Used for termination of optical cables in RSH racks.

Description:

- Used with modular front panel
- Up to 8 positions ST, SC, or FC type or 4 positions DSC or FCD type
- Height 1U
- Cable entry by two PG couplings on the rear part (included)
- Holes not in use can be covered
- Installation in 10" rack with two sliding holders
- Installation kit for splice cassette size 142 x 95mm included
- Color powder coated RAL (standard RAL 9005)



10" FIBER-OPTIC SPLICE BOXES			
Code	W	D in mm	H
ORMS-01	10"	160	1U

MODULAR FRONT PANELS	
Code	
ORS-08ST	
ORS-08SC	
ORS-04DSC	
ORS-08FC	
ORS-04FCD	

