

CONTEG DATASHEET

COMPLEMENTARY SYSTEMS

SOHO Mini REH - 10" RACKS

CONTEG, spol. s r.o.

Czech Republic Headquarters:

Na Vítězné pláni 1719/4

140 00 Prague 4

Tel.: +420 261 219 182

Fax: +420 261 219 192

Production plant in the Czech Republic:

K Silu 2179

393 01 Pelhřimov

Tel.: +420 565 300 300

Fax: +420 565 533 955

Local Branches/Offices

Austria: +420 724 723 184

Benelux: +32 477 957 126

Eastern Europe / Nordics: +49 172 8484 346

France, Maghreb: +33 686 074 386

Germany / Switzerland /
Baltics / Denmark / Italy: +49 170 523 4958

Middle East: +971 555 08 32 41

Russia, CIS: +7 495 967 3840

conteg@conteg.com

www.conteg.com

The SOHO Mini REH racks are suitable for the placing of 10" patch panels, shelves, SOHO active elements, etc. Owing to its minimal dimensions, they are suitable for installation in small offices and households. The REH racks offer a basic level of access to the equipment installed through the front door.

COLOR SAMPLER:

RAL 7035



REH-06-30/26

DESCRIPTION:

Sizes

- Height: 4, 6 and 9U
- Width: 300 mm
- Depth: 260 mm

Construction

- 1.25 mm sheet steel

Load rating

- Standard 20 kg balanced load

IP rating

- Standard IP30

Colors

- Standard RAL 7035
- Optionally other colors

Front door

- Tinted security glass (EN 12150-1)
- Reversible door – easy re-hanging to open on right or left (at installation site)
- Door opening angle 180°

Cable entries

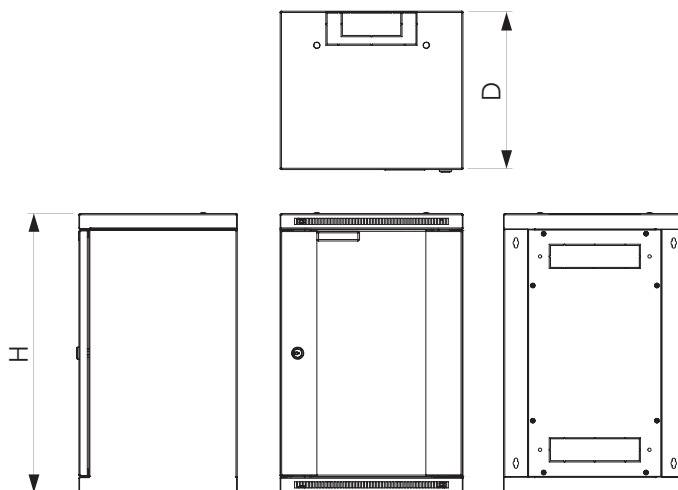
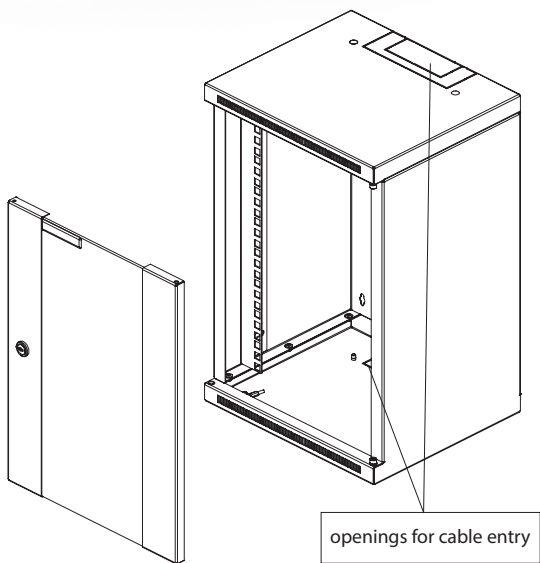
- Knock-out top and bottom openings for cable entry size 150x56mm or 100x41mm, rear panel cable entry size 150x56mm; openings can be optionally covered by a blank panel (DP-DB-200x68) or a cover with brush (DP-KP-KAR3)
- Cable entries start on rear edge of enclosure for straight cable path alongside wall

Others

- One pair of 10" vertical extrusions; possibility to move back in range of 20mm
- Drilling template •
- Mounting holes on the back for wall installation

STANDARD CONFIGURATION:

- 1 pair of 10" vertical extrusions
- Tinted security glass entry door (EN 12150-1) with lock
- Openings for cable entry
- 8 mounting kits



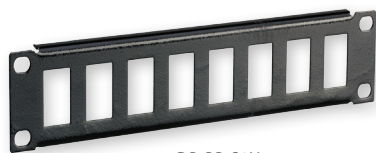
Code	H in U	Dimensions in mm			Dimensions including packing			Gross weight in kg	
		H	W	D	Useful depth	H	W		D
REH-04-30/26	4	237	300	260	230	257	317	287	4,5
REH-06-30/26	6	326	300	260	235	346	317	287	5,5
REH-09-30/26	9	459	300	260	235	477	317	287	7

SOHO Mini REH ACCESSORIES

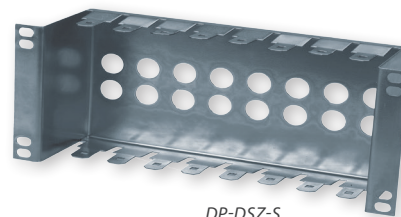
REH – PATCH PANELS			
Code	H in U	W	Used with
DP-PP-S1U	1	10"	8 modules Keystone type with DP-KEY; standard size of hole is 16.7x24.3 mm
DP-MP-S1U	1	10"	12 modules Panduit
DP-DSZ-S	2+1/2	10"	8 modules LSA-PLUS



DP-MP-S1U



DP-PP-S1U



DP-DSZ-S

REH – ACCESSORIES			
Code	H in U	W	Description
DP-PT-S200	1	10"	Shelf, depth 150 mm
DP-ZA-S1U	1	10"	Blank panel
DP-S01-VENT	1	10"	Vented panel
DP-VP-PS01	1	10"	Wire management panel with plastic brackets

DP-PT-S200



DP-ZA-S1U



DP-S01-VENT



DP-VP-PS01



10" FIBER-OPTIC SPLICE BOXES

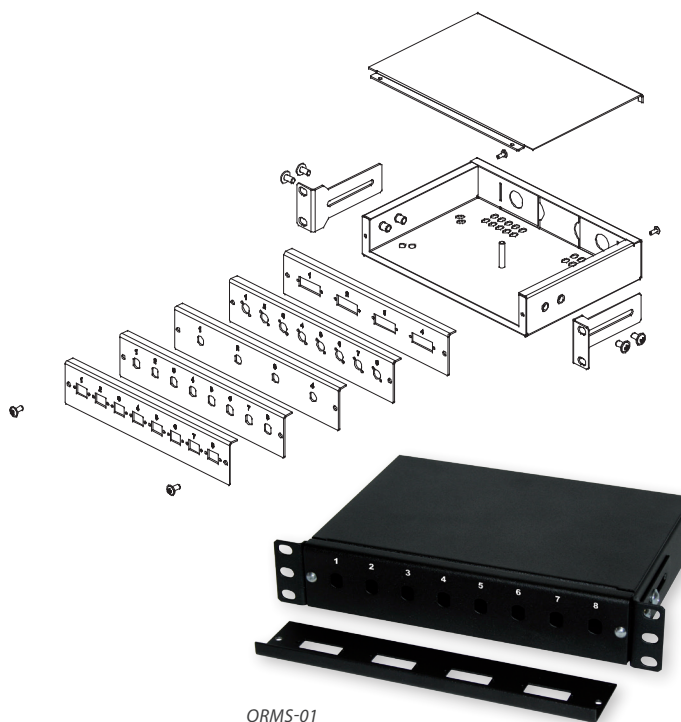
Used for termination of optical cables in REH racks.

DESCRIPTION:

- Used with modular front panel
- Up to 8 positions ST, SC, or FC type or 4 positions DSC or FCD type
- Height 1U
- Cable entry by two PG couplings on the rear part (included)
- Holes not in use can be covered
- Installation in 10" rack with two sliding holders
- Installation kit for splice cassette size 142x95 mm included
- Color powder coated RAL (standard RAL 9005)

10" FIBER-OPTIC SPLICE BOXES			
Code	H in U	W	D in mm
ORMS-01	1	10"	160

MODULAR FRONT PANELS	
Code	
ORS-08ST	
ORS-08SC	
ORS-04DSC	
ORS-08FC	
ORS-04FCD	



ORMS-01