


SOHO MINI REH 10" RACKS



REH-06-30/26

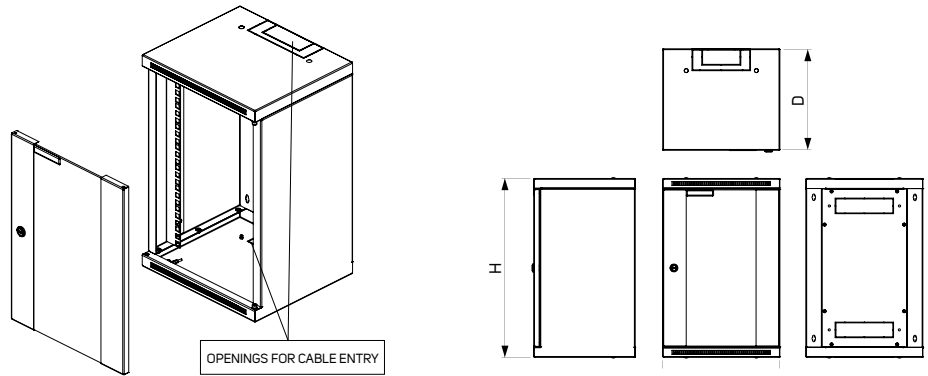
COLOR SAMPLER:  RAL 7035

➤ **SOHO Mini REH** racks are suitable for the placing of 10" patch panels, shelves, SOHO active components, etc.

MAIN ADVANTAGES

- Minimal dimensions allow installation in small offices and households
- Offers access to installed equipment through front door

Code	H (in U)	Dimensions (mm)				Dimensions including packing (mm)			Gross weight (kg)
		H	W	D	Useful depth	H	W	D	
REH-04-30/26	4	237	300	260	230	257	317	287	4.5
REH-06-30/26	6	326	300	260	235	346	317	287	5.5
REH-09-30/26	9	459	300	260	235	477	317	287	7



DESCRIPTION:

Sizes

- Height: 4, 6 and 9U
- Width: 300 mm
- Depth: 260 mm

Construction

- 1.25 mm sheet steel

Load rating

- Standard 20 kg balanced load

IP rating

- Standard IP30

Colors

- Standard RAL 7035

Front door

- Tinted security-glass (EN 12150-1)
- Reversible door – easily re-hangs to open on right or left (at installation site)
- Door opening angle 180°

Cable entries

- Knock-out top and bottom openings for 150x56 mm cable entry; 150x56 mm rear cable entry; openings can also be covered with blank panel (DP-DB-200x68) or brush (DP-KP-KAR3)
- Cable entries start on rear edge of enclosure for straight cable path alongside wall

Other

- One pair of 10" vertical extrusions; can be moved back up to 20 mm
- Drilling template
- Mounting holes on back for wall installation

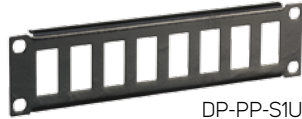
STANDARD CONFIGURATION:

- 1 pair of 10" vertical extrusions
- Tinted security glass door (EN 12150-1) with lock
- Openings for cable entry
- 8 mounting kits

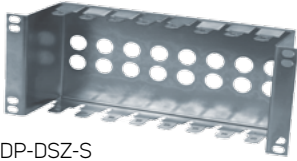
SOHO MINI REH ACCESSORIES



DP-MP-S1U



DP-PP-S1U



DP-DSZ-S



DP-PT-S200



DP-ZA-S1U



DP-S01-VENT



DP-VP-PS01

REH – PATCH PANELS

Code	H (in U)	W	Used with	Package
DP-PP-S1U	1	10"	8 Keystone type modules with DP-KEY; 16.7x24.3 mm standard hole size	1 pc
DP-MP-S1U	1	10"	12 modules Panduit	1 pc
DP-DSZ-S	2+1/2	10"	8 modules LSA-PLUS	1 pc

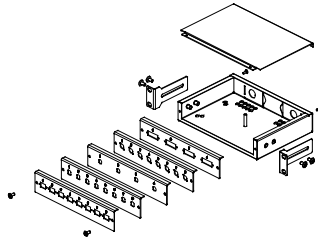
REH – ACCESSORIES

Code	H (in U)	W	Description	Package
DP-PT-S200	1	10"	150 mm deep shelf	1 pc
DP-ZA-S1U	1	10"	Blank panel	1 pc
DP-S01-VENT	1	10"	Vented panel	1 pc
DP-VP-PS01	1	10"	Wire management panel with plastic brackets	1 pc

10" FIBER-OPTIC SPLICE BOXES



ORMS-01



- For use with modular front panel
- Up to 8 positions: ST, SC or FC type or 4 positions DSC or FCD type
- Height: 1U
- Cable entry via two PG9 couplings on rear part (included)
- Holes not in use can be covered
- Installation in 10" rack with two sliding holders
- Installation kit for splice cassette size 142x95 mm (included)
- Color: powder-coated RAL (standard RAL 9005)
- Package includes: 1x fiber optic box, 2x holder for 10" rack, 2x PG9 couplings, 2x screws for affixing to front panel (front panel not included)

Code	Description	H (in U)	W	D (mm)	Package
ORMS-01	10" fiber-optic splice boxes	1	10"	160	1 pc
FRONT PANELS					
ORS-08ST	Modular front panel	1	10"	–	1 pc
ORS-08SC	Modular front panel	1	10"	–	1 pc
ORS-04DSC	Modular front panel	1	10"	–	1 pc
ORS-08FC	Modular front panel	1	10"	–	1 pc
ORS-04FCD	Modular front panel	1	10"	–	1 pc

www.conteg.com



CONTEG, spol. s r.o.

Headquarters:

Na Vítězské pláni 1719/4
140 00 Prague 4
Czech Republic
Tel.: +420 261 219 182
conteg@conteg.com
www.conteg.com

Production plant:

K Silu 2179
393 01 Pelhřimov
Czech Republic
Tel.: +420 565 300 300

Local Branches/Offices:

Austria/Germany/Switzerland:	+420 261 219 182
Benelux:	+31 76 5420 709
Southeastern Europe:	+49 172 8484 346
Finland:	+358 50 414 1257
France/Italy/Maghreb:	+33 1 60 04 55 90
Middle East:	+971 55 508 3241
Russia/CIS:	+7 495 967 3840
Saudi Arabia:	+966 54 000 2341

CONTEG