



DATASHEET

Optical
pathway system
OptiWay

CONTEG

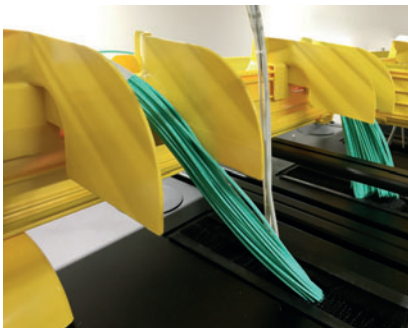
OPTIWAY OPTICAL PATHWAY SYSTEM



➤ **OptiWay** is designed to provide a safe, easy-to-use and cost-effective management system for fragile optical cables. OptiWay allows you to route fiber-optic cables between equipment, providing both the physical protection and bend radius management crucial to optical cable performance.

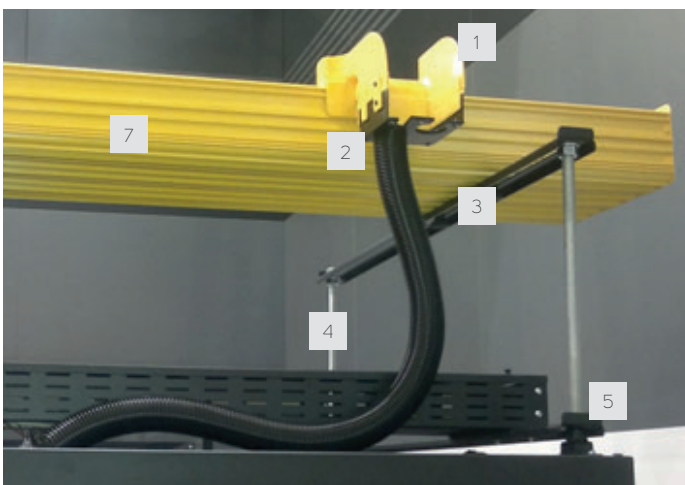
MAIN ADVANTAGES

- Fully modular, scalable system
- Bend radius protection
- Halogen-free PC-ABS material, compliant with UL 94 V-0
- Designed for three installation variables: hung from ceiling, top of rack support or a combination of these
- Multilevel installation
- Differentiation of wiring routing by colored extrusion
- Possibility of covering the entire cable route up to the level of the top plate rack

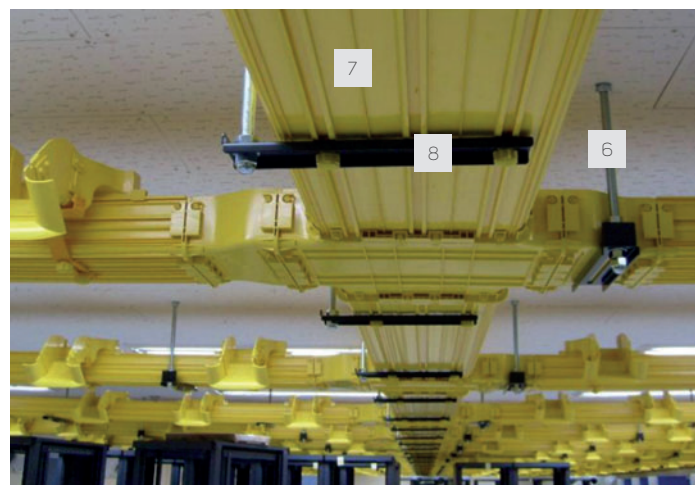


Description of pictures 1 and 2 below

| No. | Code | Description |
|-----|---------------|--|
| 1 | OPW-10DRF-YL | Direct spillover |
| 2 | OPW-10DRF-TG | Spillover fall-out tube guide (up to two tubes) |
| 3 | OPW-RRB-100 | Threaded rod attachment bracket (rack mounting) |
| 4 | OPW-TR-16/40 | Threaded rod |
| 5 | OPW-TR-BR | Threaded rod mounting bracket |
| 6 | OPW-TR-16/100 | Threaded rod |
| 7 | OPW-30MD2M | Main duct |
| 8 | OPW-TRB-30 | Threaded rod attachment bracket (ceiling mounting) |



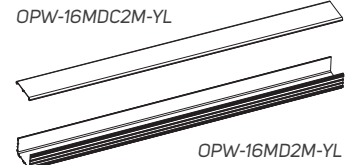
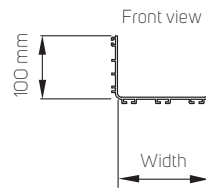
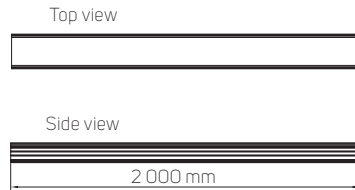
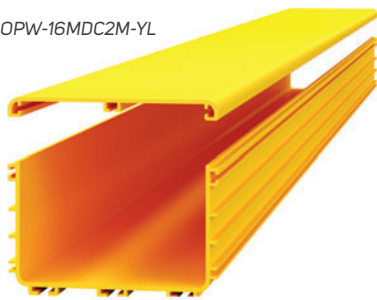
1. OptiWay installation with Direct spillover on top of rack



2. OptiWay ceiling installation

MAIN DUCT

OPW-16MDC2M-YL



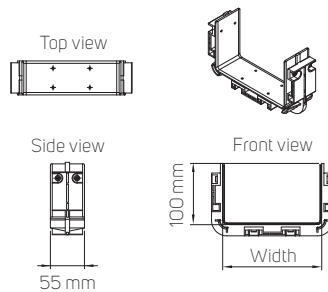
OPW-16MD2M-YL

- An extruded 2-meter-long conduit; can be connected with other OptiWay products using joiners
- Delivered in even numbers (packaged by 2 pcs = 4 m)
- Color: Yellow
- Can be easily cut to length on-site
- Duct load rating 20 kg/m; required distance between brackets max. 900 mm

| Code | Inner duct size (mm) | | Length (m) | Package |
|----------------|----------------------|-----|------------|---------|
| | H | W | | |
| OPW-16MD2M-YL | 100 | 160 | 2 | 2 pcs |
| OPW-30MD2M-YL | 100 | 300 | 2 | 2 pcs |
| Covers | | | | |
| OPW-16MDC2M-YL | - | 160 | 2 | 1 pc |
| OPW-30MDC2M-YL | - | 300 | 2 | 1 pc |

JOINER

OPW-16JO-YL

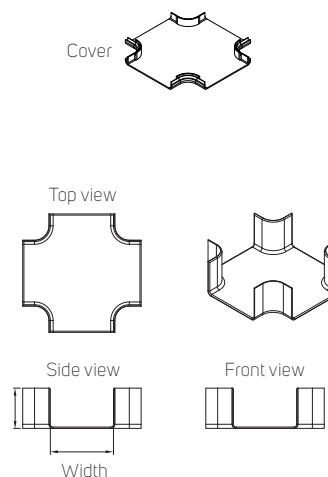
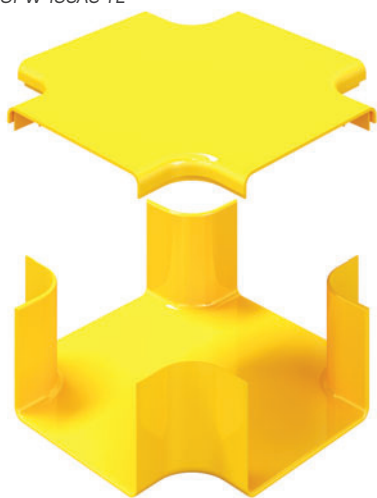


- Used to connect two OptiWay component
- Does not require drilling of duct or components
- Color: Yellow
- Package includes: 1x joiner, 8x screws

| Code | Inner duct size (mm) | | Package |
|-------------|----------------------|-----|---------|
| | H | W | |
| OPW-10JO-YL | 100 | 100 | 1 pc |
| OPW-16JO-YL | 100 | 160 | 1 pc |
| OPW-30JO-YL | 100 | 300 | 1 pc |

CROSS

OPW-16CAC-YL

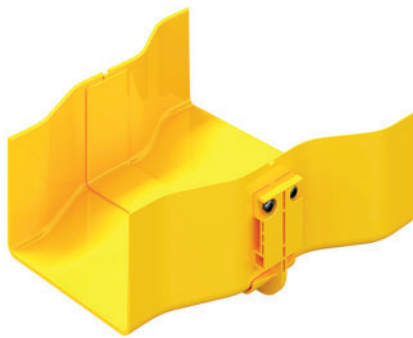


OPW-16CA-YL

- Used to establish a 4-way, right-angled intersection
- Four joiners required per cross
- Color: Yellow

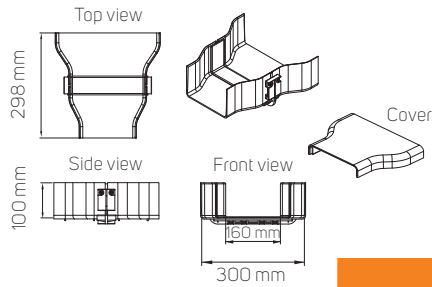
| Code | Inner duct size (mm) | | Package |
|--------------|----------------------|-----|---------|
| | H | W | |
| OPW-16CA-YL | 100 | 160 | 1 pc |
| OPW-30CA-YL | 100 | 300 | 1 pc |
| Covers | | | |
| OPW-16CAC-YL | - | 160 | 1 pc |
| OPW-30CAC-YL | - | 300 | 1 pc |

REDUCER



OPW-3016RD-YL

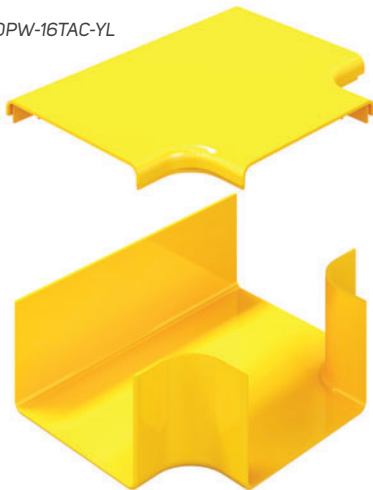
- Allows 300×100 mm and 160×100 mm OptiWay sections to be joined together
- Two joiners required per reducer
- Color: Yellow



| Code | Inner duct size (mm) | | Package |
|----------------|----------------------|---------|---------|
| | H | W1/W2 | |
| OPW-3016RD-YL | 100 | 300/160 | 1 pc |
| Cover | | | |
| OPW-3016RDC-YL | – | 300/160 | 1 pc |

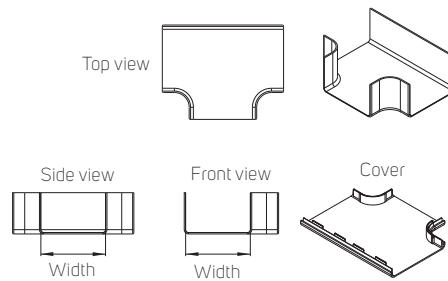
TEE

OPW-16TAC-YL



OPW-16TA-YL

- Used to establish a 3-way, right-angled intersection
- Three joiners required per tee
- Color: Yellow



| Code | Inner duct size (mm) | | Package |
|---------------|----------------------|-----|---------|
| | H | W | |
| OPW-16TA-YL | 100 | 160 | 1 pc |
| OPW-30TA-YL | 100 | 300 | 1 pc |
| Covers | | | |
| OPW-16TAC-YL | – | 160 | 1 pc |
| OPW-30TAC-YL | – | 300 | 1 pc |

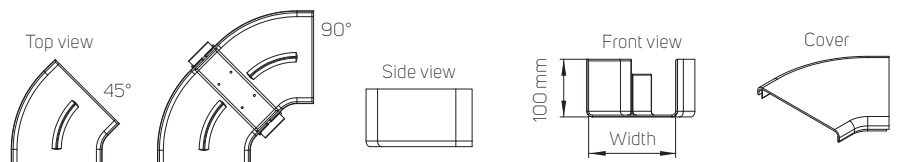
HORIZONTAL ELBOW

OPW-16HA45C-YL



OPW-16HA45-YL

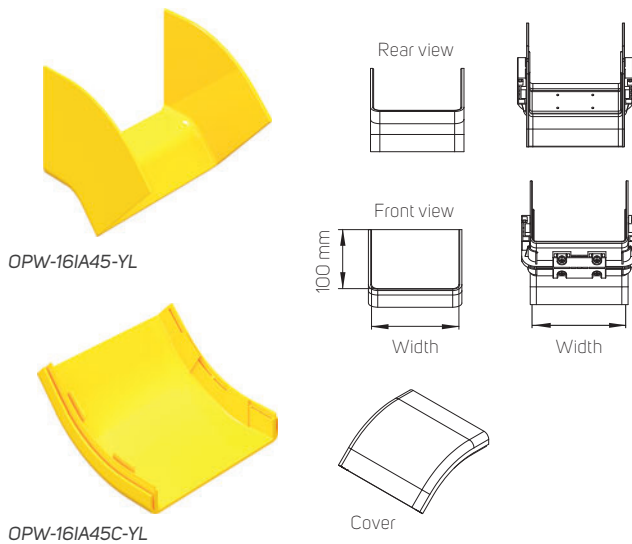
- Allows ducts to be diverted through 45° or 90°
- Two joiners required per elbow
- Color: Yellow



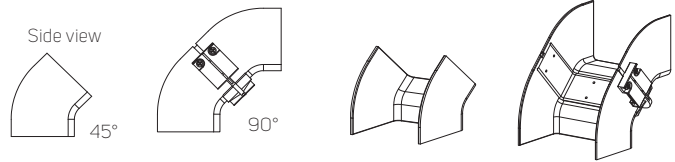
OPW-16HA90-YL

| Code | Type | Inner duct size (mm) | | Package |
|----------------|------|----------------------|-----|---------|
| | | H | W | |
| OPW-16HA45-YL | 45° | 100 | 160 | 1 pc |
| OPW-30HA45-YL | 45° | 100 | 300 | 1 pc |
| OPW-16HA90-YL | 90° | 100 | 160 | 1 pc |
| OPW-30HA90-YL | 90° | 100 | 300 | 1 pc |
| Covers | | | | |
| OPW-16HA45C-YL | 45° | – | 160 | 1 pc |
| OPW-30HA45C-YL | 45° | – | 300 | 1 pc |
| OPW-16HA90C-YL | 90° | – | 160 | 1 pc |
| OPW-30HA90C-YL | 90° | – | 300 | 1 pc |

VERTICAL INSIDE ELBOW

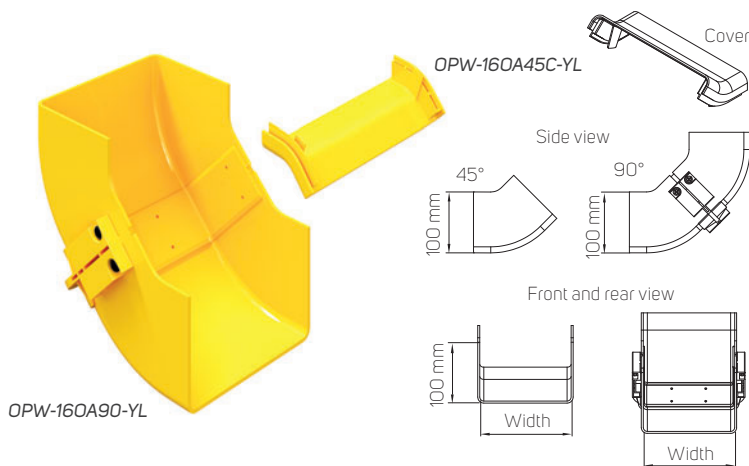


- Allows ducts to be diverted through 45° or 90° with an inside angle (usually in a downward direction)
- Two joiners required per elbow
- Color: Yellow



| Code | Type | Inner duct size (mm) | | Package |
|----------------|------|----------------------|-----|---------|
| | | H | W | |
| OPW-16IA45-YL | 45° | 100 | 160 | 1 pc |
| OPW-30IA45-YL | 45° | 100 | 300 | 1 pc |
| OPW-16IA90-YL | 90° | 100 | 160 | 1 pc |
| OPW-30IA90-YL | 90° | 100 | 300 | 1 pc |
| Covers | | | | |
| OPW-16IA45C-YL | 45° | - | 160 | 1 pc |
| OPW-30IA45C-YL | 45° | - | 300 | 1 pc |
| OPW-16IA90C-YL | 90° | - | 160 | 1 pc |
| OPW-30IA90C-YL | 90° | - | 300 | 1 pc |

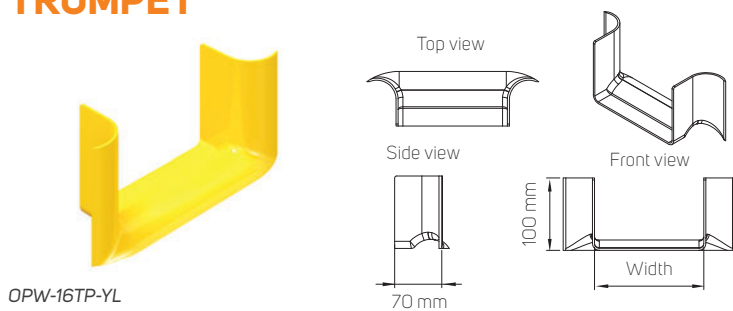
VERTICAL OUTSIDE ELBOW



- Allows ducts to be diverted through 45° or 90° with an inside angle (usually in an upward direction)
- Two joiners required per elbow
- Color: Yellow

| Code | Angle | Inner duct size (mm) | | Package |
|----------------|-------|----------------------|-----|---------|
| | | H | W | |
| OPW-160A45-YL | 45° | 100 | 160 | 1 pc |
| OPW-300A45-YL | 45° | 100 | 300 | 1 pc |
| OPW-160A90-YL | 90° | 100 | 160 | 1 pc |
| OPW-300A90-YL | 90° | 100 | 300 | 1 pc |
| Covers | | | | |
| OPW-160A45C-YL | 45° | - | 160 | 1 pc |
| OPW-300A45C-YL | 45° | - | 300 | 1 pc |
| OPW-160A90C-YL | 90° | - | 160 | 1 pc |
| OPW-300A90C-YL | 90° | - | 300 | 1 pc |

TRUMPET



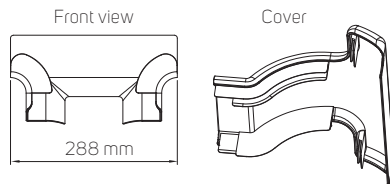
- Used to provide bend-radius control for cables entering or exiting the OptiWay ducting system
- One joiner required per trumpet
- Color: Yellow

| Code | Inner duct size (mm) | | Package |
|-------------|----------------------|-----|---------|
| | H | W | |
| OPW-10TP-YL | 100 | 100 | 1 pc |
| OPW-16TP-YL | 100 | 160 | 1 pc |
| OPW-30TP-YL | 100 | 300 | 1 pc |

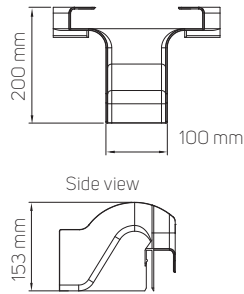
SPILLOVER



OPW-10DRC-YL



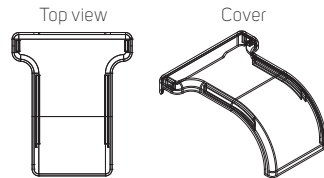
OPW-10DR-YL



OPW-10DRFC-YL



OPW-10DRF-YL



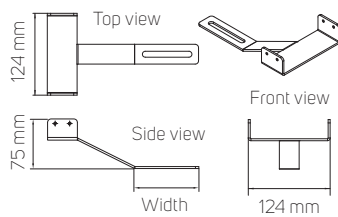
- Used to provide a protected exit for cables leaving the OptiWay ducting system
- Color: Yellow



OPW-10DRF-TG + OPW-10DRF-TB3



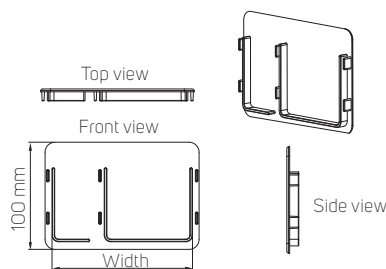
OPW-SDMB-16



END CAP



OPW-16EC-YL



- Provides a clean finish to end of OptiWay run
- Color: Yellow

| Code | Inner duct size (mm) | | Package |
|---------------|----------------------|-----|---------|
| | H | W | |
| OPW-10DR-YL | 100 | 100 | 1 pc |
| OPW-10DRF-YL | 100 | 100 | 1 pc |
| Covers | | | |
| OPW-10DRC-YL | - | 100 | 1 pc |
| OPW-10DRFC-YL | - | 100 | 1 pc |

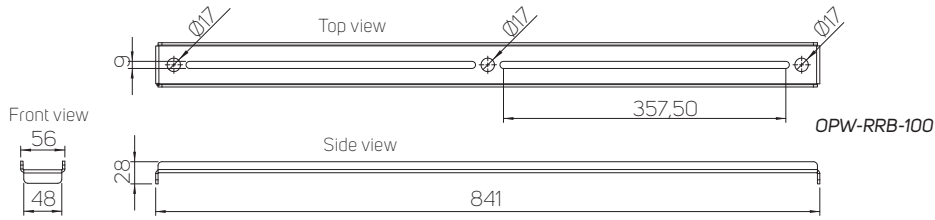
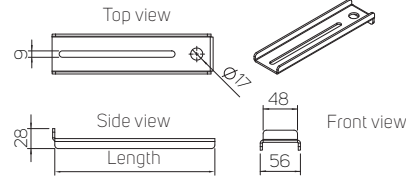
| SPILLOVER ACCESSORIES | | |
|-----------------------|---|---------|
| Code | Description | Package |
| OPW-10JO-YL | Joiner, 100×100 mm, yellow | 1 pc |
| OPW-10TP-YL | Trumpet, 100×100 mm, yellow | 1 pc |
| OPW-10IA45-YL | Vertical inside elbow, 45° down angle | 1 pc |
| OPW-SDMB-16 | Support bracket for spillover OPW-10DR for 160×100 mm duct, black color. Package includes: metal bracket and 2× fixing screws | 1 pc |
| OPW-SDMB-30 | Support bracket for spillover OPW-10DR for 300×100 mm duct, black color. Package includes: metal bracket and 2× fixing screws | 1 pc |
| OPW-10DRF-TG | Spillover fall-out tube guide (up to two tubes), without tube, black | 1 pc |
| OPW-10DRF-TB3 | Tube for spillover, outer diam. 50 mm, length 3 m, black | 1 pc |
| OPW-10DRF-TB30 | Tube for spillover, outer diam. 50 mm, length 30 m, black | 1 pc |

| Code | Inner duct size (mm) | | Package |
|-------------|----------------------|-----|---------|
| | H | W | |
| OPW-16EC-YL | 100 | 160 | 1 pc |
| OPW-30EC-YL | 100 | 300 | 1 pc |

OPTIWAY FIXING ON THE TOP OF THE RACK



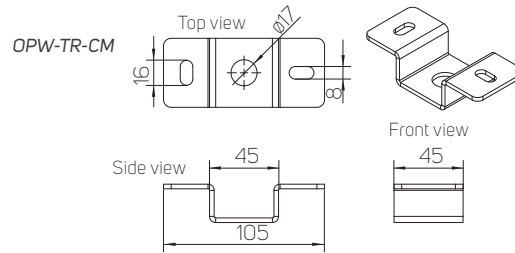
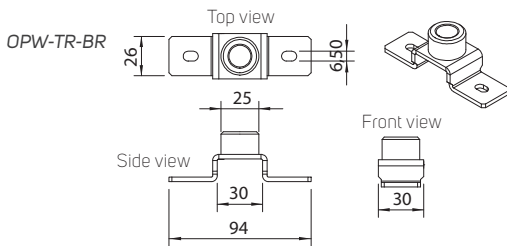
OPW-TRB-16



| Code | Description | Bracket length (mm) | Recommended rack depth (mm) | Mounted Holes | Supported duct inner size (mm) | | Package |
|--------------|--|---------------------|-----------------------------|---------------|--------------------------------|------|---------|
| | | | | | H | Size | |
| OPW-TR-BR | Bracket for attaching a threaded rod to racks of PREMIUM series | | | | | M16 | 1 pc |
| OPW-TR-16/20 | Threaded rod | | | | 210 | M16 | 1 pc |
| OPW-TR-16/40 | Threaded rod | | | | 400 | M16 | 1 pc |
| OPW-TR-16/60 | Threaded rod | | | | 600 | M16 | 1 pc |
| OPW-RRB-40 | Bracket mounted on top of the half part of the rack | 344 | 800 | 2 | | | 1 pc |
| OPW-RRB-50 | Bracket mounted on top of the half part of the rack | 444 | 1000 | 2 | | | 1 pc |
| OPW-RRB-60 | Bracket mounted on top of the half part of the rack | 644 | 1200 | 2 | | | 1 pc |
| OPW-RRB-80 | Bracket mounted on the top or overlapping the rack | 641 | 800 | 3 | | | 1 pc |
| OPW-RRB-100 | Bracket mounted on the top or overlapping the rack | 841 | 1000 | 3 | | | 1 pc |
| OPW-RRB-120 | Bracket mounted on the top or overlapping the rack | 1041 | 1200 | 3 | | | 1 pc |
| OPW-SRB-60 | Side mounting bracket for installation of cable duct on the rack width 600 mm — front/rear orientation | 632 | | 2 | | | 1 pc |
| OPW-SRB-80 | Side mounting bracket for installation of cable duct on the rack width 800 mm — front/rear orientation | 832 | | 2 | | | 1 pc |

Note: Max. distance required between RRB brackets: 900 mm.

OPTIWAY SUSPENSION SYSTEM



| Code | Description | Bracket length (mm) | Mounted Holes | Supported duct inner size (mm) | | Package |
|---------------|---|---------------------|---------------|--------------------------------|------|---------|
| | | | | H | Size | |
| OPW-TR-CM | Ceiling mountable bracket for a threaded rod (dowels and screws for the ceiling not included) | | | | M16 | 1 pc |
| OPW-TR-16/100 | Threaded rod | | | 1000 | M16 | 1 pc |
| OPW-TR-16/200 | Threaded rod | | | 2000 | M16 | 1 pc |
| OPW-TRB-16 | Threaded rod attachment bracket for the main duct | 160 | 1 | | | 1 pc * |
| OPW-TRB-30 | Threaded rod attachment bracket for the main duct | 300 | 1 | | | 1 pc * |

* Fixing screws included.

Note: All dimensions in mm



CONTEG, spol. s r.o.

Headquarters:

Stetkova 1638/18
140 00 Prague 4
Czech Republic

Production plant:

K Silu 2179
393 01 Pelhrimov
Czech Republic

Tel.: +420 565 300 362

conteg@conteg.com

www.conteg.com

CONTEG