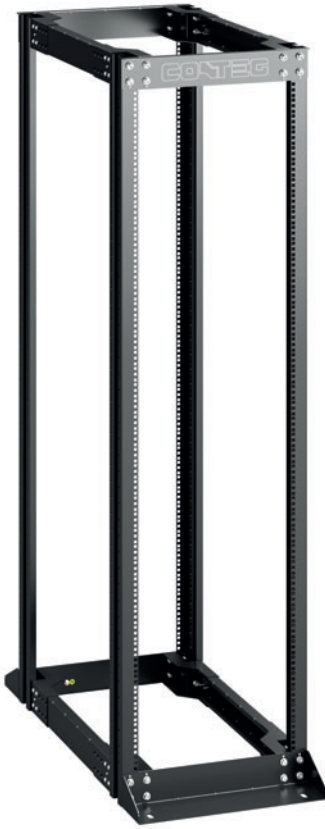


**DATASHEET**  
Open frames  
RSG4

**CONTEG**

# OPEN FRAMES RSG4



➤ **RSG4** high-load, four post open frames ensure unbeatable accessibility. With a balanced load rating of up to 1500 kg, they are ideal for installation of heavy servers, disk arrays, etc.

## MAIN ADVANTAGES

- 4-post frame for heavy IT hardware (up to 1500 kg)
- Unlimited access for component installation
- Full on-site configurability and depth adjustment
- High Density Wire Management compatible
- Unassembled version for transport to inaccessible spaces

COLOR:  RAL 9005

## DESCRIPTION

### Sizes

- Height: 42, 47U
- Width: 550 mm
- Depth: 500–680 mm, 710–890 mm, 920–1100 mm (step 30 mm)

### Load rating

- 1500 kg (balanced load)

### IP rating

- IP 00 (no protection)

### Construction

- 2.0 mm sheet steel

### Color

- Standard RAL 9005

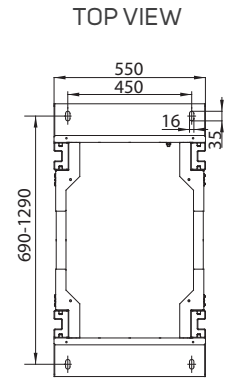
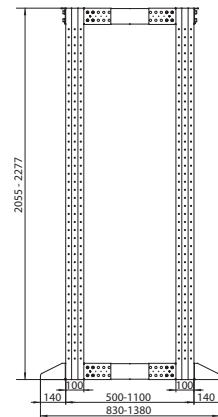
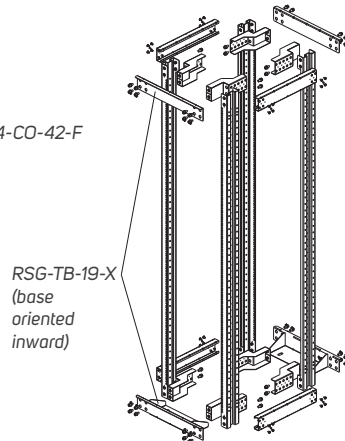
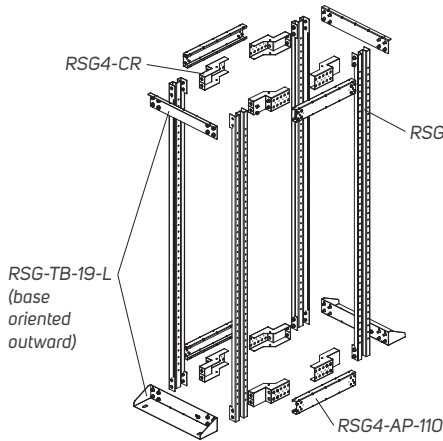
### Base

- Composed of sheet steel
- L – outward-oriented (X – inward-oriented optionally)
- Complete with holes for anchoring screws

### Delivered unassembled and consists of:

- 2 pairs of 19" vertical extrusions
- Corners
- Outward-oriented or inward-oriented base with upper parts
- Adjustable profile with required depths

42U with outward-oriented base and adjustable profile for depths 920–1100 mm



Note: All dimensions in mm

Code	Description	42U. Height 2055 mm, Width 550 mm			47U. Height 2277 mm, Width 550 mm		
		Depth 500–680 mm	Depth 710–890 mm	Depth 920–1100 mm	Depth 500–680 mm	Depth 710–890 mm	Depth 920–1100 mm
RSG4-CO-42-F	19" vertical extrusions (with U markign) for 42U	2 <sup>1</sup>	2 <sup>1</sup>	2 <sup>1</sup>	–	–	–
RSG4-CO-47-F	19" vertical extrusions (with U markign) for 47U	–	–	–	2 <sup>1</sup>	2 <sup>1</sup>	2 <sup>1</sup>
RSG4-CR	Corners	1	1	1	1	1	1
RSG-TB-19-L	Outward-oriented base, upper parts	1 <sup>2</sup>	1 <sup>2</sup>	1 <sup>2</sup>	1 <sup>2</sup>	1 <sup>2</sup>	1 <sup>2</sup>
RSG-TB-19-X	Inward-oriented base, upper parts						
RSG4-AP-68	Adjustable profile for depths 500–680 mm	1	–	–	1	–	–
RSG4-AP-89	Adjustable profile for depths 710–890 mm	–	1	–	–	1	–
RSG4-AP-110	Adjustable profile for depths 920–1100 mm	–	–	1	–	–	1

<sup>1</sup> Necessary to order 2 pcs. <sup>2</sup> For mounting the frame, either an inward or outward-oriented base must be ordered.



**CONTEG, spol. s r.o.**

Na Vitezne plani 1719/4

140 00 Prague 4

Czech Republic

Tel.: +420 565 300 358

[conteg@conteg.com](mailto:conteg@conteg.com)

[www.conteg.com](http://www.conteg.com)

**CONTEG**