


SOHO IN-WALL ACP



ACP-IW-55/53/14

COLOR SAMPLER:  RAL 7035

➤ **ACP series SOHO** racks are designed for households and small offices. They are the only racks in the Conteg portfolio that can be installed directly into the wall, making them an ideal solution for use within a space-constrained environment.

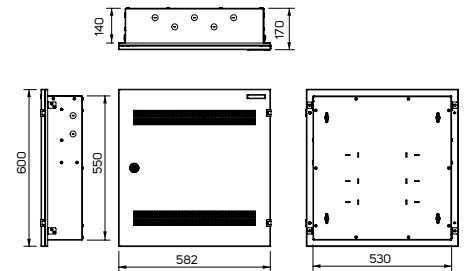
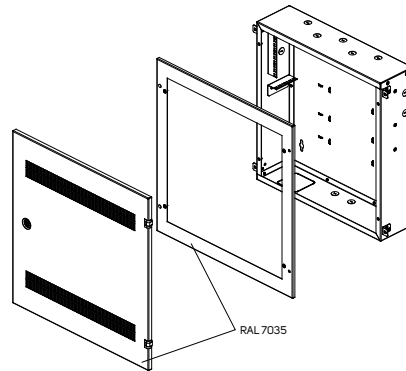
MAIN ADVANTAGES

- Equipped with extrusions for both active equipment installation (2U) and mounting passive components (4U)
- Offers access to installed equipment through front door

Code	Box dimensions (mm)			Vertical extrusions		Horizontal extrusions		External dimensions including packing (mm)			Gross weight (kg)
	H	W	D	U *	UD **	U *	UD **	H	W	D	
ACP-IW-55/53/14	550	530	140	4	90	2	300	630	595	170	12

* Length of extrusions in units

** Max. depth of installed equipment in mm



DESCRIPTION:

Sizes

- Height: 550 mm
- Width: 530 mm
- Depth: 140 mm

Construction

- Zinc-coated 1.25, 1.5, and 2 mm sheet steel box

Colors

- Standard RAL 7035

Load rating

- 20 kg

Front door

- Door opening angle 180°
- Perforated door for effective ventilation with lock

Cable entries

- Knock-out at bottom for internal electrical outlet
- Multiple 22.6 mm conduit knock-outs on all sides of box
- Cable tie bump outs on rear side of box

STANDARD CONFIGURATION:

- 1 pair of fixed 19" horizontal extrusions (2U)
- 1 pair of fixed 19" vertical extrusions (4U)
- Sheet steel perforated door with lock

Note: All dimensions in mm

www.conteg.com



CONTEG, spol. s r.o.

Headquarters:

Na Vítězské pláni 1719/4
140 00 Prague 4
Czech Republic
Tel.: +420 261 219 182
conteg@conteg.com
www.conteg.com

Production plant:

K Silu 2179
393 01 Pelhřimov
Czech Republic
Tel.: +420 565 300 300

Local Branches/Offices:

Austria/Germany/Switzerland:	+420 261 219 182
Benelux:	+31 76 5420 709
Southeastern Europe:	+49 172 8484 346
Finland:	+358 50 414 1257
France/Italy/Maghreb:	+33 1 60 04 55 90
Middle East:	+971 55 508 3241
Russia/CIS:	+7 495 967 3840
Saudi Arabia:	+966 54 000 2341

CONTEG